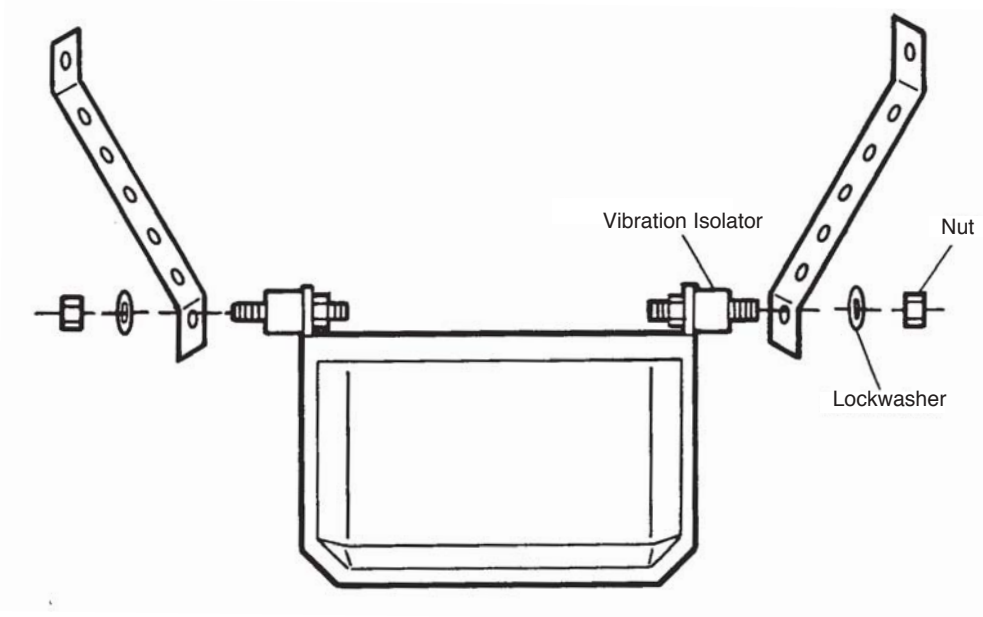


VIBRATION ISOLATOR KIT

Assemble between hanger bracket and chassis, as illustrated.

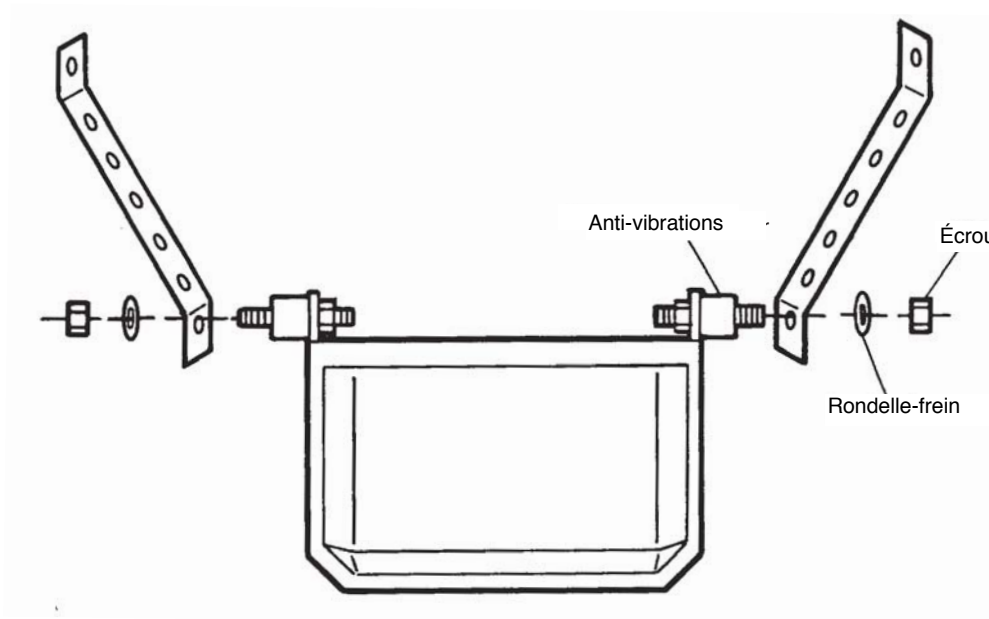


114A1052B

© 2006, Chamberlain Group Inc.
All Rights Reserved

KIT Anti-Vibration

Monter entre les pattes de maintien
et le châssis, comme illustré



© 2006, The Chamberlain Group, Inc.
Tous droits réservés

114A1052B